

Key Features

The Flexible Spindle Mount with rotational and angular compensation is a perfect fit for deburring applications! Overcome collision issues between workpiece and spindle using the Flexible Spindle Mount and prolong the life expectancy of your spindles. Regulate the compensation stiffness using an air regulator with a built-in filter to provide clean air.

- Compensates for misalignment
- Enhances life expectancy of spindles
- Improves deburring results
- Available for multiple spindle sizes
- Up to 5° multidirectional tilt
- Up to 5 mm contraction
- Works with multiple spindle brands



Perfect for Deburring!

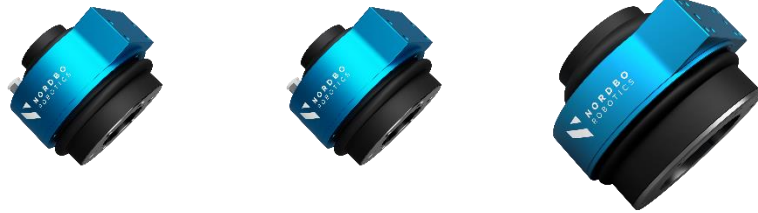
Use the spindle in applications to ensure a smooth contact between spindle and workpiece! The Flexible Spindle Mount for spindle sizes Ø30 and Ø40 can be delivered with mounting flanges for the following robot brands*:

- AUBO
- Nachi Robots
- Universal Robots
- Kuka

*Is your robot not on the list? Contact us to know the possibilities!



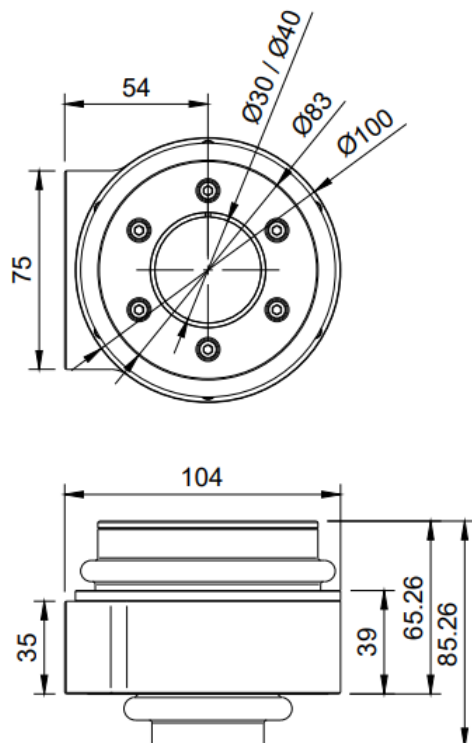
Technical Specifications



Model	NFS-D30	NFS-D40	NFS-D80
Diameter Spindle (Ø)	30 mm	40mm	80 mm
Outer Diameter	100	100 mm	145 mm
Weight	1172 g	1111 g	3200 g
Max. Tilt (x,y)	5°	5°	3°
Move (at max. tilt angle)	360°	360°	360°
Max. Contraction (z)	5 mm	5 mm	5 mm
Mounting Holes	4x M5	4x M5	8x M5
Air Connection - hose (Ø)	6 mm	6 mm	6 mm
Max. Air Pressure	0,7 MPa	0,7 MPa	0,7 MPa
Air regulator included?	No	No	No

Mechanical Dimensions

NFS-D30/D40



NFS-D80

