
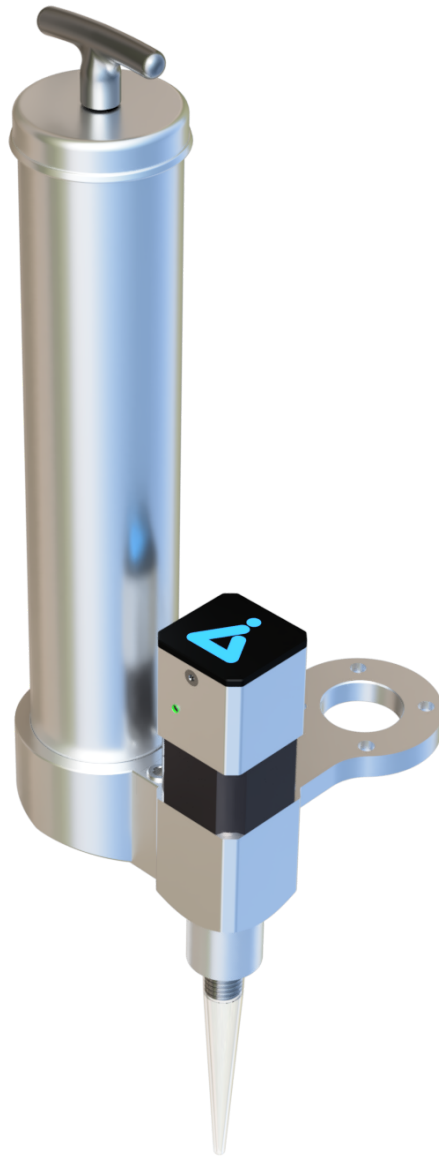


AIM
ROBOTICS ™
DISPENSING MADE SIMPLE

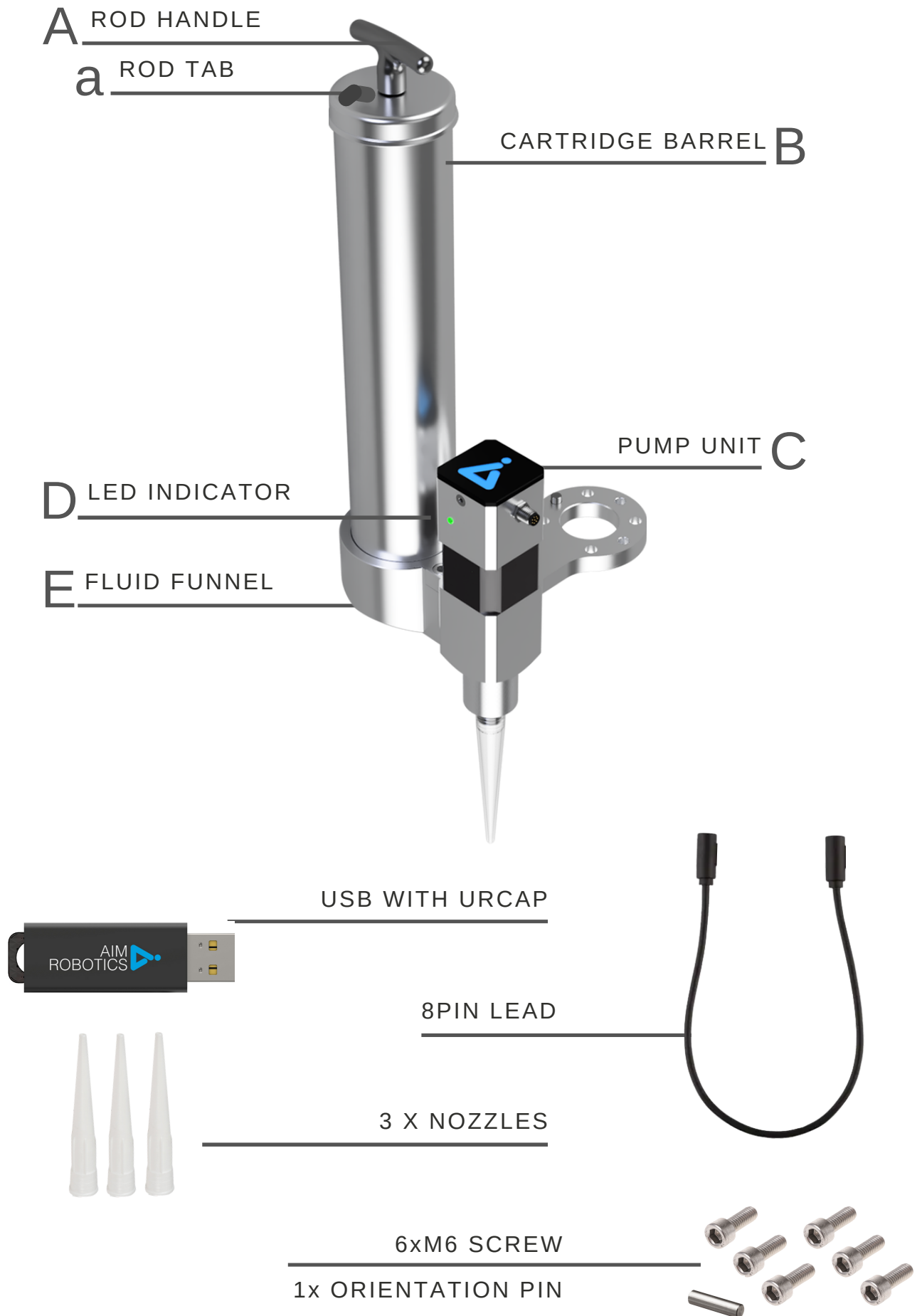


FD400

TO USE WITH 400ML CARTRIDGES (DIN1284)

DATA SHEET

WHAT'S IN THE BOX



TECHNICAL DATA

FD400 FEATURES

- Only connect to cobot, no need for external air supply
- Use with 400ml cartridges DIN 1284
- Recommended for single-component medium viscosity fluids, NLGI class 2-3 (approximate 150.000-2.000.000cps)

Model # FD400
URCap version ≥ 3.2

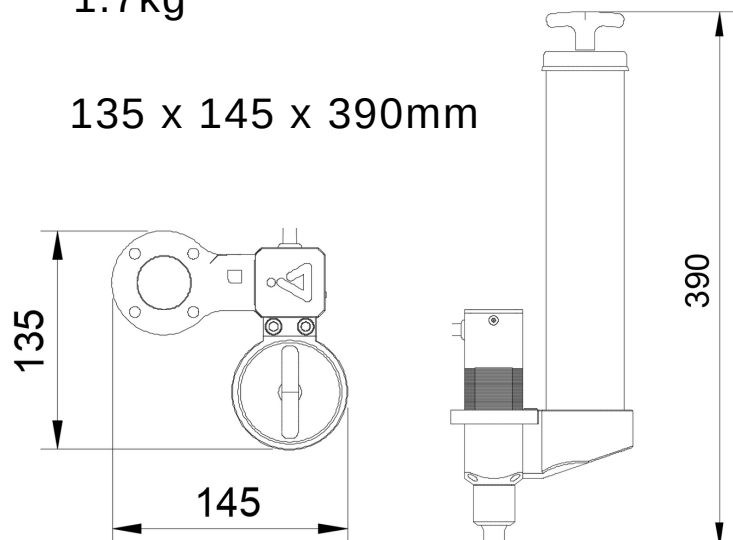
Mechanical interface: ISO 9409-1, type 50-4-M6

Electrical interface: 8-pole M8

Digital interfaces: URCap, PolyScope ≥ 5.5
URCap, API ≥ 1.8
RS485
24V I/O

Weight (without cartridge): 1.7kg

Dimensions: 135 x 145 x 390mm



No air

- Accurate dispensing

Easy installation and Setup

- Up and running in 10 minutes
- Specially designed software

Fully integrated with Universal Robots

- Single connection utilizing the M8 8pin connector

AIM ROBOTICS APS
DENMARK

+45 31 51 55 11



AIM-ROBOTICS.COM



SALES@AIM-ROBOTICS.COM

